



Model: All Serial #: N/A	Jan. 6, 2021
Product Bulletin # TDS-229 v 2.0	

## **BUW Gripper Cylinder Manifold Counter-balance**

---

### **Issue**

The current Back-up Wrench (BUW) gripper manifold has a counter-balance valve that will prevent inadvertent closing of the BUW gripper which was not available on the top drive models made prior to 2009.

### **Recommendation**

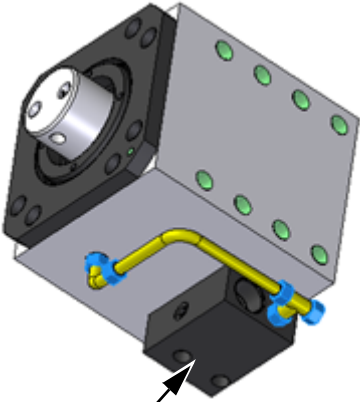
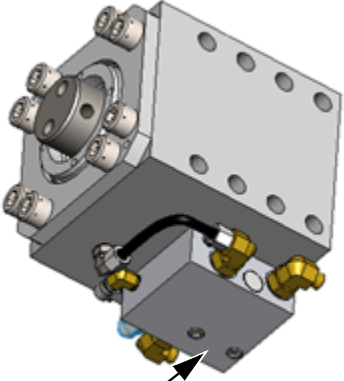
Canrig recommends replacing the older manifold with the current manifold with the counter-balance valve.

### **Replacement**

The BUW gripper assembly manifold (738-12-0), shown in Figure 1 on page 2, has been replaced by (H10294-2) gripper manifold, shown in Figure 2 on page 2. This manifold mounts to the bottom of the BUW gripper cylinder and includes a counter-balance valve.

Contact RIGLINE 24/7™ to order the BUW Gripper Manifold Kit (Canrig P/N: AY25171). See page 3 for details.

**Table 1: Older and Current BUW Gripper Assemblies and Manifolds**

	Pre-2009 BUW Gripper	Current BUW Gripper
<b>BUW Cylinder Assembly (P/N)</b>	AY10011	AY13257-1
<b>BUW Gripper Manifold (P/N)</b>	738-12-0	H10294-2
<b>Reference Image</b>	 <p><b>P/N: 738-12-0</b></p> <p>Figure 1</p>	 <p><b>P/N: H10294-2</b></p> <p>Figure 2</p>

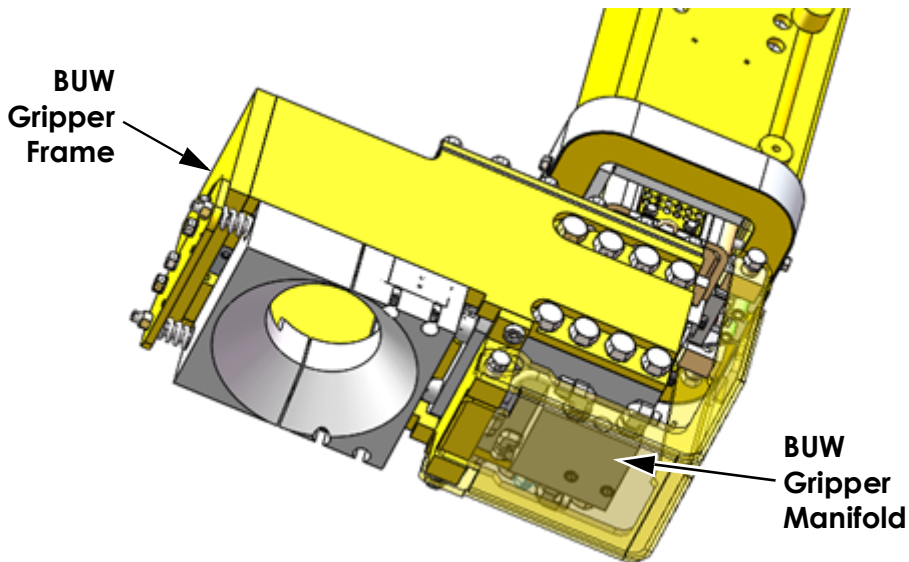


Figure 3: BUW Gripper Manifold

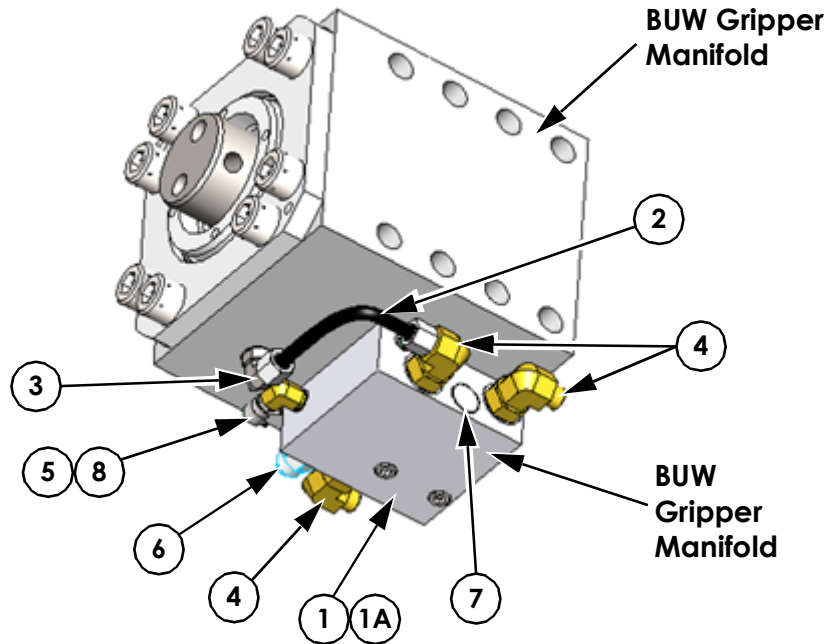


Figure 4: BUW Gripper Manifold Kit

**Table 2: BUW Gripper Manifold Kit Components (P/N: AY25171)**

Item	Qty	Canrig P/N	Description
1	1	H10294-2	MANIFOLD, HYD, VALVE, CHECK/CBAL, ALUMINUM
1A	1	S01-1121-01N	O-RING
2	1	DT14841	HYDR TUBE, 1/2, BUW
3	1	H15-520220-08-08	ELL 90°, MALE 1/2 ORFS, MALE 1/2 ORB
4	3	H15-520220-08-12	ELL 90°, MALE 1/2 ORFS, MALE 3/4 ORB
5	1	H10297	ELL 90°, MALE 1/4 ORB, FEMALE 1/4 ORB
6	1	H10133	CARTRIDGE, VLV, CBAL, 30GPM
7	1	H10296	CARTRIDGE, P.O. CHECK
8	1	H22-1000-010	TEST STATION, #4 SAE